

Product Features

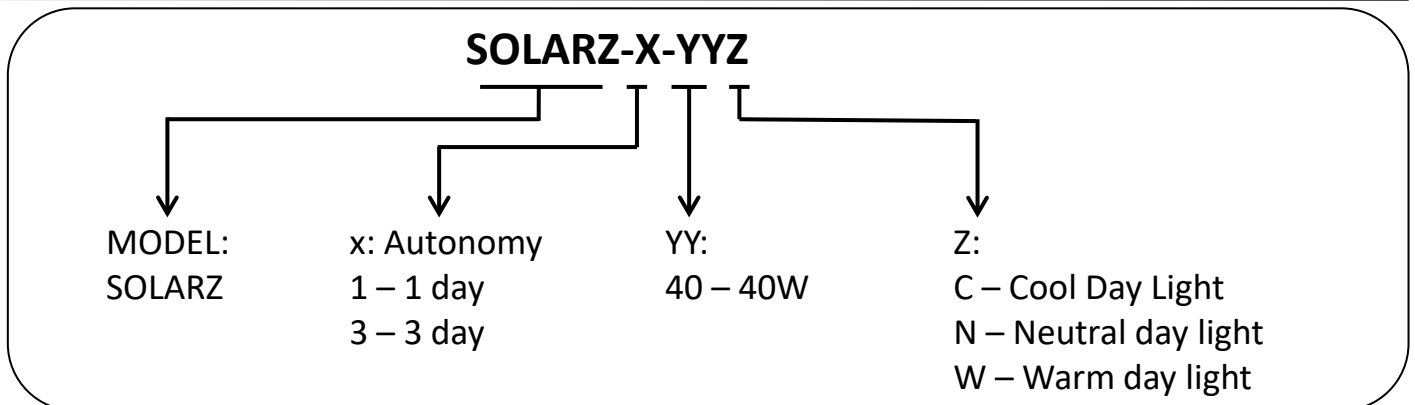


- All in one solar streetlight.
- Aluminum die cast + CRCA housing duly powder coated.
- Long life and better thermal management.
- Maintenance free LiFePo4 High efficiency battery pack.
- Inbuilt solar charge pump with high efficiency electronics.
- Available in 1 day / 3 days autonomy.



Optical Specification	System Power Consumption (W)± 10%	40W
	Light Source	LED
	Typ. Fixture Efficacy (LM/W)	100
	Color Temperature (K)	Cool White
	CRI	70
	Diffuser / Optical material	Glass secondary optics
	Beam Angle options	Type II / Type III
General specification	Mounting Style	Pole mount
	Backup time	1 Day / min. 12 hrs; 3 days / Min. 36 hrs.
	Lighting Time	12 hours/Night
	Solar panel Module	Polycrystalline cells
LED Indications	Battery not charging, PV low	Green LED OFF
	Battery charging	Green ON
	Battery full	Green flashing
	Battery not discharged	Red OFF
	Battery discharged; Load disconnect	Red ON
Battery	Type	LiFePo4
	Life cycle	> 2000 cycles
	Operation Temperature	0 to +45°C
Controller	Charging type	MPPT
	Operating Profile Options	Dusk-to-dawn 100% power, various dimming profiles
	Day / Night Transition	Via solar panels

Model No.



All features, functionality and other product specifications are subject to change without notice or obligation.